

# Sigma Si-R3

## Specification & Feature

- **Mirror:** 19.5\*19.5cm Acrylic high-strength shatterproof mirror Convex 2 times with the magnification effect, while it's just 1/2 weight compared with normal glass mirror. With certain toughness, not fragile, safe and durable, brightness is the same with glass mirror. Hard metal surround the bottom, can effectively prevent the mirror damage caused by collision.
- **Handle:** Telescopic rod design, can be the maximum depth under the vehicle when using. Adopts high-quality aluminum material and high-strength processes, and makes it lightweight, strong and sturdy. The surface adopts clean room outdoor paint processing, no fade after long-term using, and no smell, no harm to the human body. Equipped with black plastic handle, suitable for long time working.
- **Carry:** 180 degrees folding design, fasten and package, then it can be carried away by one person, very convenient. All materials are conform the ROHS processing standard.
- **Applications:** Especially for vehicle inspections, others such as table, chair, etc. where needs the bow down inspections.

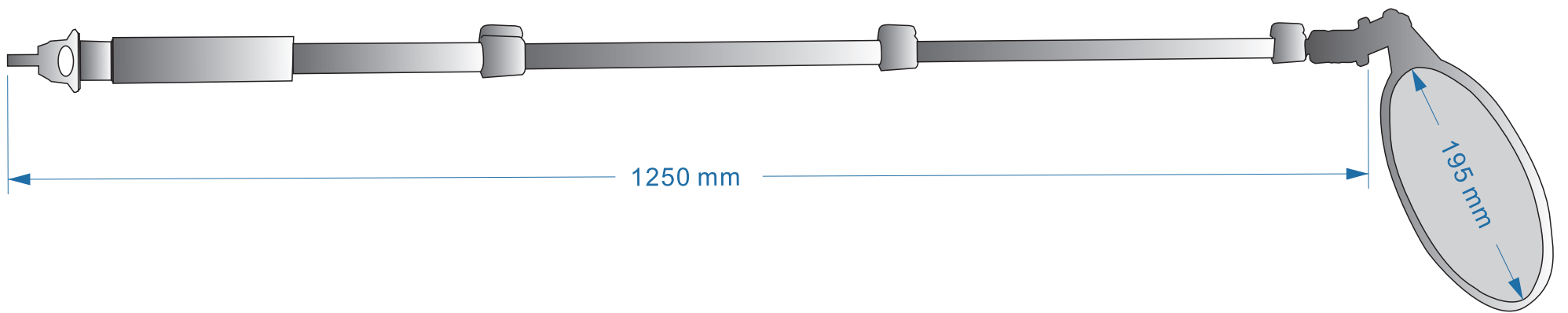




Telescopic rod design, adjust the length according to requirement.



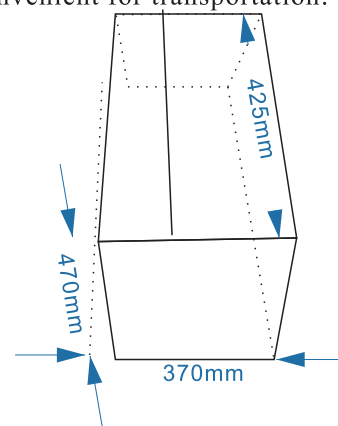
mirror chassis fixed by locking nail, never loose.



lengthened connector



Portable bag design, convenient for transportation.



**Technical parameters:**

Product dimensions:	Max. Length=1430mm, Mirror $\Phi$ =195mm.
Single package dimensions:	415×225×70mm.
Single net weight:	0.396kg.
Single gross weight:	0.587kg.
Package carton dimensions:	525×423×370mm 10pcs/ctn.
Net weight:	3.96kg.
Shipping gross weight:	6.87kg.
Working temperatures:	-20° C ~ +50° C/Humidity 5%~95%, no condensing.
Storage temperatures:	-40° C ~ +70° C/Humidity 5%~95%, no condensing.